

KXF SERIES
105°C Low profile, Snap-in Terminal Type
◆ FEATURES

- Load Life : 105°C 3000 hours, with 20mm height.
- Smaller size with higher ripple current endurance than AXF series.
- RoHS compliance.


◆ SPECIFICATIONS

Items	Characteristics								
Category Temperature Range	-20 ~ +105°C								
Rated Voltage Range	160 ~ 450V.DC								
Capacitance Tolerance	±20% (20°C, 120Hz)								
Leakage Current(MAX)	$I=3\sqrt{CV}$ (After 5 minutes application of rated voltage) I= Leakage Current (μ A) V= Rated Voltage (V) C= Rated Capacitance (μ F)								
Dissipation Factor(MAX) (tan δ)	±20% (20°C, 120Hz)								
Impedance Ratio(MAX)	<table border="1"> <tr> <td>Rated Voltage (V)</td> <td>160 ~ 250</td> <td>400 ~ 450</td> <td>(120Hz)</td> </tr> <tr> <td>Z(-25°C) /Z(20°C)</td> <td>3</td> <td>8</td> <td></td> </tr> </table>	Rated Voltage (V)	160 ~ 250	400 ~ 450	(120Hz)	Z(-25°C) /Z(20°C)	3	8	
Rated Voltage (V)	160 ~ 250	400 ~ 450	(120Hz)						
Z(-25°C) /Z(20°C)	3	8							
Endurance	After applying rated voltage with rated ripple current for 3000hrs at 105°C, the capacitors shall meet the following requirements. <table border="1"> <tr> <td>Capacitance Change</td> <td>Within ±20% of the initial value.</td> </tr> <tr> <td>Dissipation Factor</td> <td>Not more than 200% of the specified value.</td> </tr> <tr> <td>Leakage Current</td> <td>Not more than the specified value.</td> </tr> </table>	Capacitance Change	Within ±20% of the initial value.	Dissipation Factor	Not more than 200% of the specified value.	Leakage Current	Not more than the specified value.		
Capacitance Change	Within ±20% of the initial value.								
Dissipation Factor	Not more than 200% of the specified value.								
Leakage Current	Not more than the specified value.								

◆ MULTIPLIER FOR RIPPLE CURRENT

Frequency coefficient

Frequency (Hz)	60(50)	120	500	1k	10k \leq	
Coefficient	160 ~ 250WV	0.80	1.00	1.20	1.30	1.50
	400 ~ 450WV	0.80	1.00	1.20	1.25	1.40

◆ PART NUMBER

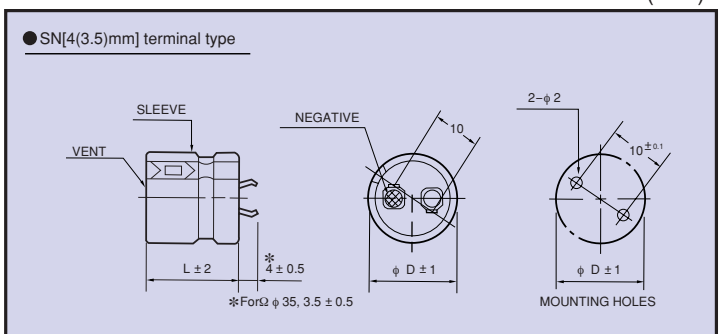
□□□	AXF	□□□□□	□	OOE	SN	D × L
Rated Voltage	Series	Rated Capacitance	Capacitance Tolerance	Option	Terminal Code	Case Size

◆ Option

	Code
without plate	OOE
with plate	Blank

◆ DIMENSIONS

(mm)





◆ STANDARD SIZE, RATED RIPPLE CURRENT

Cap(μF) \ WV	160		180		200		220		250	
100										
120									20 × 20	0.65
150							20 × 20	0.70	22 × 20	0.74
180			20 × 20	0.80	20 × 20	0.80	22 × 20	0.80	22 × 20	0.77
220	20 × 20	0.81	22 × 20	0.90	22 × 20	0.87	25 × 20	0.85	25 × 20	0.95
270	22 × 20	0.98	22 × 20	0.95	25 × 20	0.95	25 × 20	1.02	30 × 20	1.00
330	25 × 20	1.02	25 × 20	1.15	25 × 20	1.15	30 × 20	1.12	30 × 20	1.16
390	25 × 20	1.25	25 × 20	1.20	30 × 20	1.20	30 × 20	1.25	35 × 20	1.25
470	30 × 20	1.30	30 × 20	1.36	30 × 20	1.41	35 × 20	1.25		
560	30 × 20	1.46	30 × 20	1.43	35 × 20	1.43				
680	35 × 20	1.51	35 × 20	1.51						
820	35 × 20	1.55								

Cap(μF) \ WV	400		420		450	
39					20 × 20	0.36
47	20 × 20	0.39	20 × 20	0.38	20 × 20	0.41
56	20 × 20	0.40	22 × 20	0.45	22 × 20	0.43
68	22 × 20	0.49	22 × 20	0.48	25 × 20	0.50
82	25 × 20	0.55	25 × 20	0.53	25 × 20	0.53
100	25 × 20	0.60	30 × 20	0.58	30 × 20	0.61
120	30 × 20	0.75	30 × 20	0.70	30 × 20	0.70
150	30 × 20	0.80	35 × 20	0.80	35 × 20	0.80
180	35 × 20	0.85				

↑ Ripple Current (A r.m.s./120Hz, 105°C)
 ↑ Case Size φ D × L(mm)